

RS-X 08

Speaker Specifications

Power	Pe	250 / 375	RMS/Nom
DC resistance	Rdc	3,75	Ω
Nominal impedance	ZN	4	Ω
Resonance frequency	fs	43,02	HZ
Voice coil diameter		2	inch
Xmax	+ -	8	mm

Mechanical Q factor	Qms	6,09
Electrical Q factor	Qes	0,72
Total Q factor	Qts	0,64

Moving mass	Mms	99,39	g
Effective piston area	Sd	216	cm ²
Mechanical resistance	Rms	4,79	Kg/s
Compliance	Cms	0,14	mm/N
Force factor	BL	11,35	Tm
Equivalent air volume	Vas	9,02	dm ³

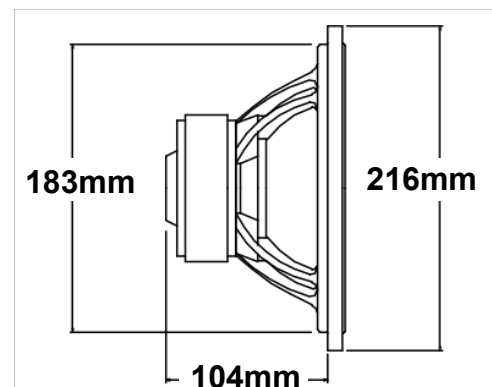
SPL 2,83V/1m **88,1** dB

Cone: Paper	Spider: Nomex
Surround: Foam	Coil former: Aluminum
Basket: Aluminum	Dust cap: PP



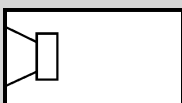
Diameter

External diameter	216 mm / 8,50 inch
Installation diameter	183 mm / 7,20 inch
Installation depth	104 mm / 4,09 inch
Magnet diameter	126 mm / 4,96 inch



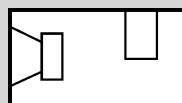
Recommended Boxes (including Ports and Drivers)

Sealed Box



V: **9 l**
Ft: 55 Hz

Vented Box



V: **16 l**
Ft: 52 Hz
d: 70 / 2,76 mm / inch
l: 175 / 6,89 mm / inch